

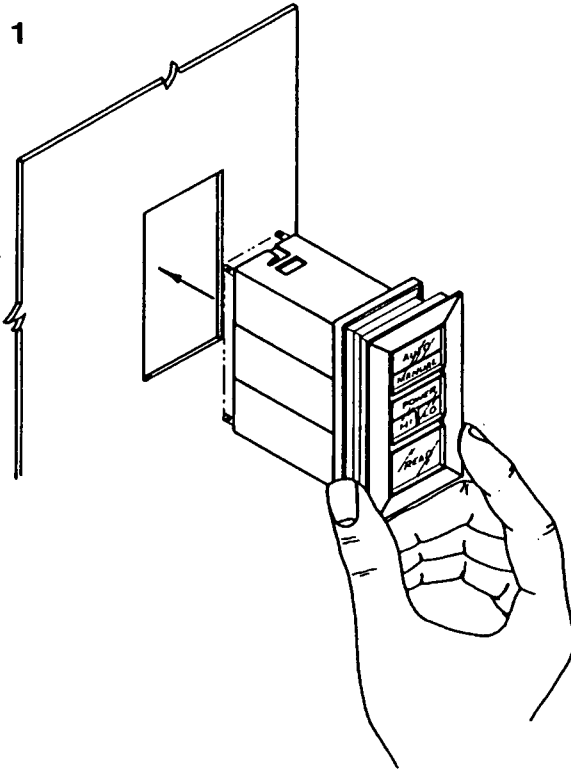


**STACOSWITCH**  
a STACO, INC. company

1139 BAKER STREET, COSTA MESA, CALIF 92626  
(714) 549-3041 TWX 910/595-1507

## TECHNICAL BULLETIN 12-A-6

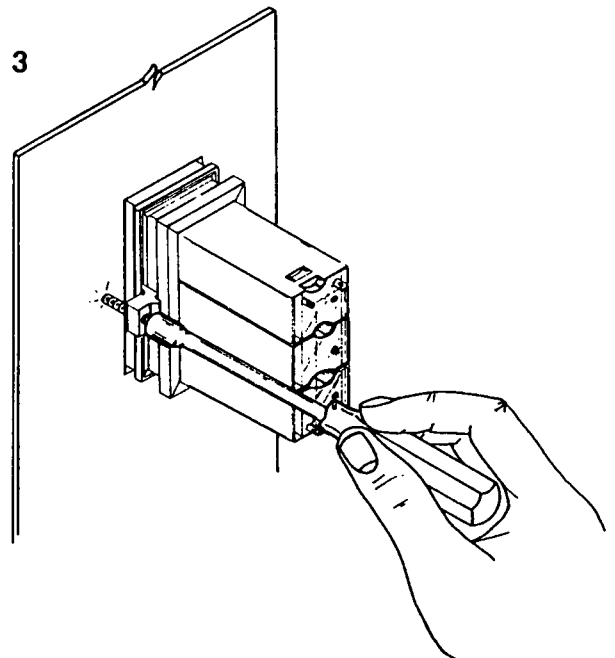
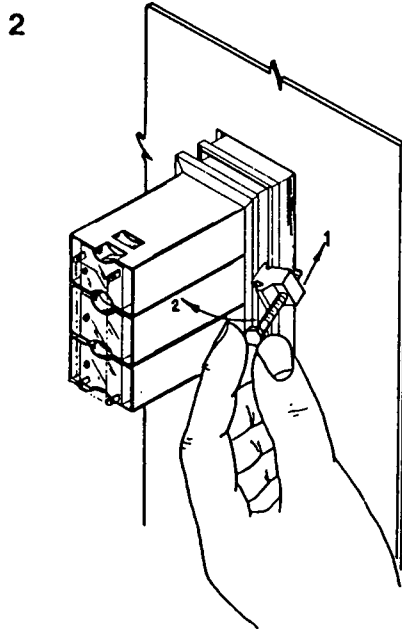
### Installation Instructions Series 1M/1MR Matrix with Mounting Dress Bezel



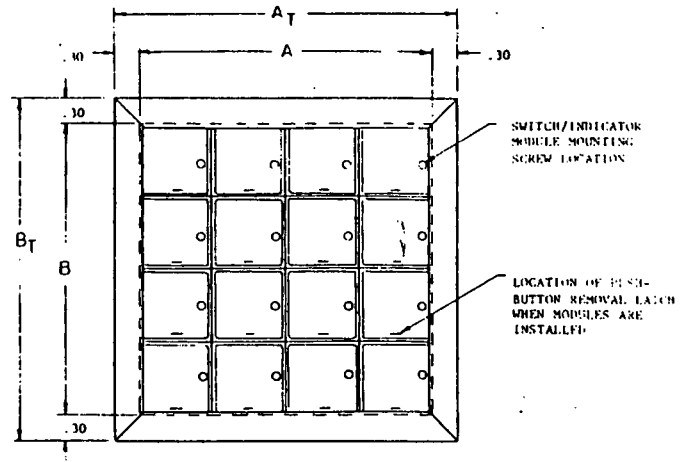
1. Cut panel cut-out to fit. See recommended panel cut-out dimensions on reverse side. The .30" wide bezel allows the matrix housing assembly to be properly aligned and mounted even when panel cut-out is slightly oversize. Insert matrix housing assembly from front of panel.

2. From behind panel insert mounting cleat with self-locking screw in extruded groove on mounting bezel. See drawing 2. Insert lower lip on cleat in side of groove closest to panel. Swing screw toward matrix housing and insert other lip on cleat. Insert all cleats, tightening each screw enough to hold cleat in place.

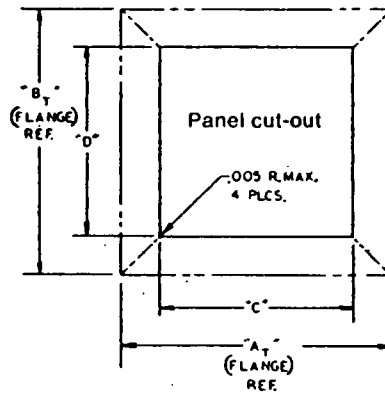
3. On a 1X3 matrix as illustrated, mounting cleats can be centered on each side or placed one on each end. On larger assemblies recommended cleat location is one cleat every three stations, centered where stations are joined together. Tighten self-locking screws, securely fastening assembly in place. **Self-locking screws are secured at 7 inch pounds max. CAUTION—do not exceed recommended torque.**



## Series 1M Matrix Mounting Dress Bezel Dimensions

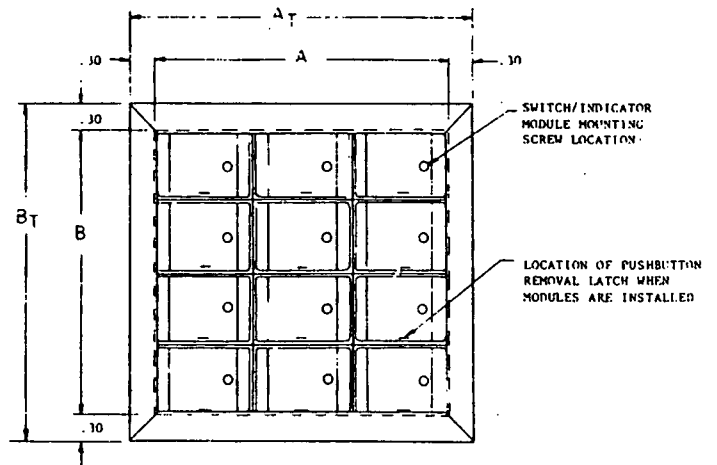


### RECOMMENDED PANEL MOUNTING DETAIL

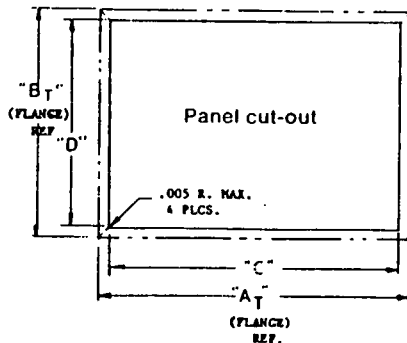


NUMBER OF UNITS PER SIDE	MATRIX DIMENSION "A" OR "B"		CUT-OUT DIMENSION "C" OR "D"		"A_T" OR "B_T" REF. OVERALL FLANGE
	+ .010 - .000	+ .010 - .000	+ .030 - .000	+ .030 - .000	
1	.755	1.124	1.352	1.352	
2	1.510	1.879	2.107	2.107	
3	2.265	2.634	2.862	2.862	
4	3.020	3.389	3.617	3.617	
5	3.775	4.144	4.372	4.372	
6	4.530	4.899	5.127	5.127	
"N"	.755 X "N"	DIM. "A" OR "B" PLUS .369	DIM. "A" OR "B" PLUS .597	DIM. "A" OR "B" PLUS .597	

## Series 1MR Matrix Mounting Dress Bezel Dimensions



### RECOMMENDED PANEL MOUNTING DETAIL



NUMBER OF UNITS PER SIDE	MATRIX DIMENSION				CUT-OUT DIMENSION		OVERALL FLANGE "A_T" REF.	OVERALL FLANGE "B_T" REF.
	+ .010 - .000	+ .010 - .000	+ .030 - .000	+ .030 - .000	"C"	"D"		
1	1.005	.755	1.374	1.124	1.602	1.352		
2	2.010	1.510	2.379	1.879	2.607	2.107		
3	3.015	2.265	3.384	2.634	3.612	2.862		
4	4.020	3.020	4.389	3.389	4.617	3.617		
5	5.025	3.775	5.394	4.144	5.622	4.372		
6	6.030	4.530	6.399	4.899	6.627	5.127		
"N"	1.005 X "N"	.755 X "N"	DIM. "A" PLUS .369	DIM. "B" PLUS .369	DIM. "A" PLUS .597	DIM. "B" PLUS .597		